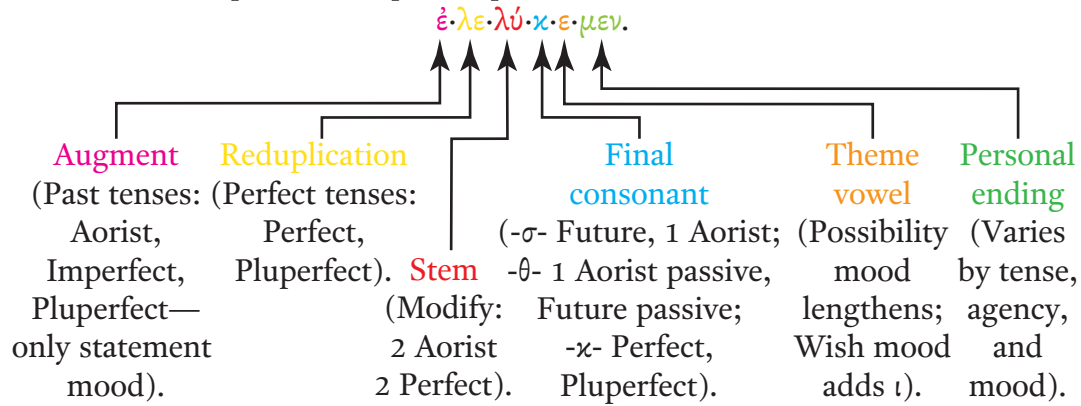


Worksheet 5. *Examine some personal action inflections.*

Personal actions inflect the person.
 Non-personal actions (participle and impersonal) do not inflect the person.

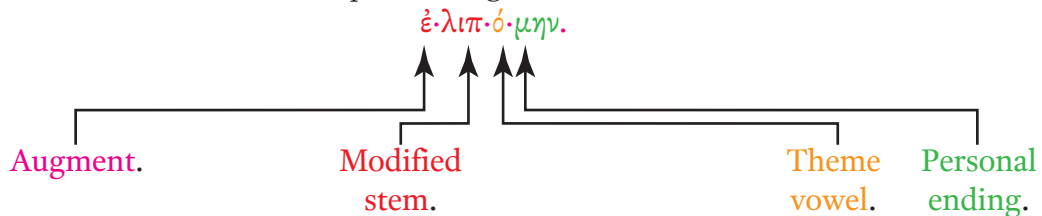
From λύω *I loose*: ἐλελύκεμεν *we had loosed*.

Pluperfect, first person, plural, active, statement mood.



From λείπω *I leave*: ἐλιπόμην *I left*.

Second aorist, first person, singular, middle, statement mood.



From ἀγαπάω *I love*: ἠγαπήκητε *you all might have loved*.

Perfect, second person, plural, active, possibility mood.

